

# Osptek Display

## TFT LCD SPECIFICATION

Model No:

**YDP350B007-V6**

*osptek*<sup>®</sup>

## Contents

|   |           |
|---|-----------|
| <b>1.Record of Revision</b> .....                   | <b>3</b>  |
| <b>2 .General Specifications</b> .....              | <b>4</b>  |
| <b>3 .Input/Output Terminals</b> .....              | <b>5</b>  |
| <b>4. Absolute Maximum Ratings</b> .....            | <b>6</b>  |
| <b>5 .Electrical Characteristics</b> .....          | <b>6</b>  |
| <b>6 .Interface Timing</b> .....                    | <b>7</b>  |
| <b>7. Optical Characteristics</b> .....             | <b>8</b>  |
| <b>8 . Environmental / Reliability Tests</b> .....  | <b>11</b> |
| <b>9. Mechanical Drawing</b> .....                  | <b>12</b> |
| <b>1 0.Packing</b> .....                            | <b>13</b> |
| <b>11. Precautions For Use of LCD modules</b> ..... | <b>14</b> |

*osptek*<sup>®</sup>



## 2 General Specifications

|                   | Feature                        | Spec                          |
|-------------------|--------------------------------|-------------------------------|
| Characteristics   | Size                           | 3.45 inch                     |
|                   | Resolution                     | 640(horizontal)*480(Vertical) |
|                   | Interface                      | MIPI                          |
|                   | Connect type                   | Connector                     |
|                   | Color Depth                    | 16.7M                         |
|                   | Technology type                | a-Si                          |
|                   | Pixel pitch (mm)               | -                             |
|                   | Pixel Configuration            | R.G.B. Vertical Stripe        |
|                   | Display Mode                   | Normally Black                |
|                   | LCD Driver IC                  | ST7703                        |
|                   | Viewing Direction              | ALL                           |
|                   | Gray Scale Inversion Direction | -                             |
|                   | Mechanical                     | LCM (W x H x T) (mm)          |
| TP                |                                |                               |
| Active Area(mm)   |                                | 70.08*52.56                   |
| With /Without TSP |                                | Without TSP                   |
| Weight (g)        |                                | TBD                           |
| LED Numbers       |                                | 6 LED                         |

Note 1: Viewing direction is following the data which measured by optics equipment.

Note 2: Requirements on Environmental Protection: RoHS

Note 3: LCM weight tolerance: +/- 5%

osptek®

### 3 Input/Output Terminals

| Pin.No | Symbol | Function                          |
|--------|--------|-----------------------------------|
| 1      | VLED+  | Power for LED backlight (Anode)   |
| 2-3    | VLED-  | Power for LED backlight (Cathode) |
| 4      | VCI    | Power Supply 2.8V                 |
| 5      | IOVCC  | Power Supply 1.8V-2.8V            |
| 6      | RSTB   | LCM RESET signals                 |
| 7-8    | NC     | NC                                |
| 9      | GND    | Power ground                      |
| 10     | D0P    | DSI-D0+data signals               |
| 11     | D0N    | DSI-D0-data signals               |
| 12     | GND    | Power ground                      |
| 13     | D1P    | DSI-D1+data signals               |
| 14     | D1N    | DSI-D1-data signals               |
| 15     | GND    | Power ground                      |
| 16     | CLKP   | DSI-Clock+                        |
| 17     | CLKN   | DSI-Clock-                        |
| 18     | GND    | Power ground                      |
| 19-20  | NC     | NC                                |
| 21     | GND    | Power ground                      |
| 22-23  | NC     | NC                                |
| 24     | GND    | Power ground                      |
| 25     | ID0    | ID0                               |
| 26-27  | NC     | NC                                |
| 28     | ID1    | ID1                               |
| 29-30  | NC     | NC                                |

## 4 Absolute Maximum Ratings

| Item                  | Symbol    | MIN  | MAX          | Unit | Remark |
|-----------------------|-----------|------|--------------|------|--------|
| Supply Voltage        | $V_{DD}$  | 0.3  | 3.6          | V    |        |
| Input Signal Voltage  | $V_{in}$  | -0.3 | $V_{DD}+0.3$ | V    |        |
| Logic Output Voltage  | $V_{OUT}$ | -0.3 | $V_{DD}+0.3$ | V    |        |
| Operating Temperature | $T_{OPR}$ | -20  | 70           | °C   |        |
| Storage Temperature   | $T_{STG}$ | -30  | 80           | °C   |        |

## 5 Electrical Characteristics

### 5.1 Operating conditions:

| Parameter             | Symbol   | MIN  | TYP | MAX         | Unit | Remark |
|-----------------------|----------|------|-----|-------------|------|--------|
| Operating Voltage     | $V_{CC}$ | 2.6  | 2.8 | 3.3         | V    |        |
| Supply Current        | $I_{DD}$ |      | 30  |             | mA   |        |
| Input Voltage         | $V_{IL}$ | 0    | -   | $0.2V_{DD}$ | V    |        |
| Input leakage current | $I_{IL}$ | -1.0 | -   | 1.0         | uA   |        |

### 5.2 Driving Backlight

| Item              | Symbol   | MIN   | TYP | MAX | Unit | Remark             |
|-------------------|----------|-------|-----|-----|------|--------------------|
| LED current       | $I_F$    | -     | 20  | -   | mA   | Note 1<br>Note 2,3 |
| Power Consumption |          |       | -   | -   | mW   |                    |
| LED Voltage       | $V_F$    | -     | 18  | -   | V    |                    |
| LED Life Time     | $W_{BL}$ | 25000 |     | -   | Hr   |                    |

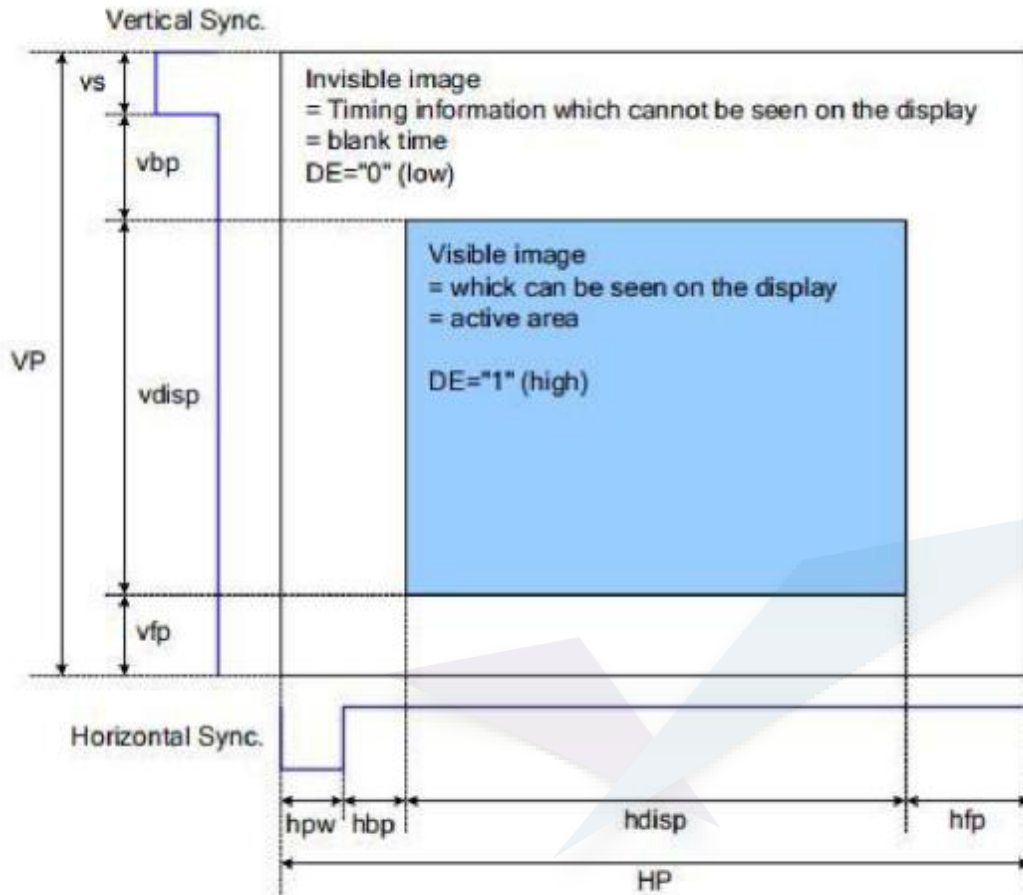
Note 1 : There are 6 Groups LED

Note 2 :  $T_a = 25^{\circ}\text{C}$

Note 3 : Brightness to be decreased to 50% of the initial value

## 6 INTERFACE TIMING

### 6.1 System Bus Read/Write Characteristics.



Please refer to the following table for the setting limitation of RGB interface signals.

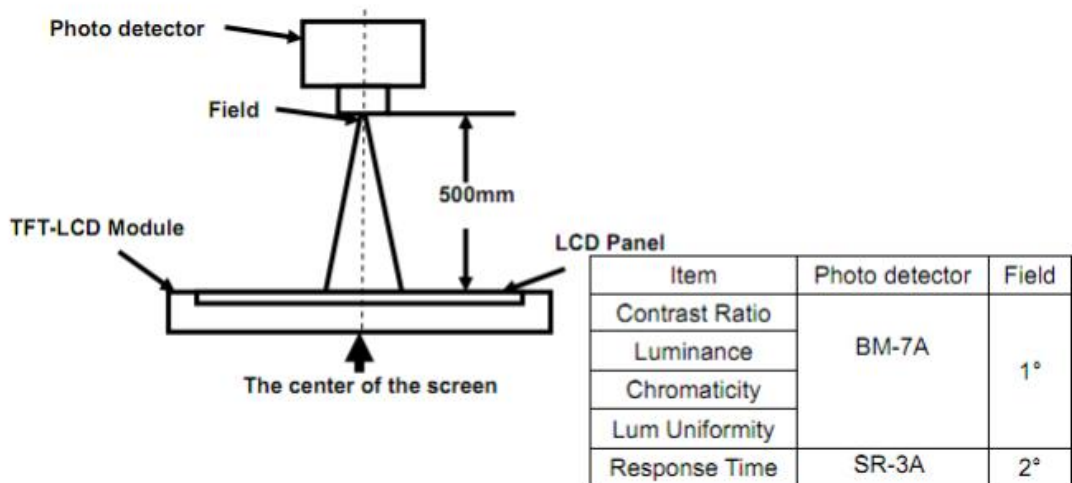
| Parameter                    | Symbol | Min. | Typ. | Max. | Unit  |
|------------------------------|--------|------|------|------|-------|
| Horizontal Sync. Width       | hpw    | 1    | -    | 255  | Clock |
| Horizontal Sync. Back Porch  | hbp    | 1    | --   | 255  | Clock |
| Horizontal Sync. Front Porch | hfp    | 1    | --   | -    | Clock |
| Vertical Sync. Width         | vs     | 1    | --   | 254  | Line  |
| Vertical Sync. Back Porch    | vbp    | 1    | --   | 254  | Line  |
| Vertical Sync. Front Porch   | vfp    | 2    | --   | --   | Line  |

## 7 Optical Characteristics

| Items          | Symbol     | Condition              | Min.  | Typ. | Max.  | Unit    | Remark          |                 |
|----------------|------------|------------------------|-------|------|-------|---------|-----------------|-----------------|
| Viewing angles | $\theta_T$ | Center<br>CR $\geq$ 10 | -     | 85   | -     | Degree. | Note2           |                 |
|                | $\theta_B$ |                        | -     | 85   | -     |         |                 |                 |
|                | $\theta_L$ |                        | -     | 85   | -     |         |                 |                 |
|                | $\theta_R$ |                        | -     | 85   | -     |         |                 |                 |
| Contrast Ratio | CR         | $\Theta = 0$           | 600   | 800  | -     | -       | Note1,<br>Note3 |                 |
| Response Time  | $T_{ON}$   | 25°C                   | -     | 25   | 50    | ms      | Note1,<br>Note4 |                 |
|                | $T_{OFF}$  |                        | -     | 25   | 50    |         |                 |                 |
| Chromaticity   | White      | Backlight<br>is on     | $X_W$ | -    | 0.300 | -       | -               | Note1,<br>Note5 |
|                |            |                        | $Y_W$ | -    | 0.340 | -       | -               |                 |
|                | Red        |                        | $X_R$ | -    | 0.615 | -       | -               |                 |
|                |            |                        | $Y_R$ | -    | 0.320 | -       | -               |                 |
|                | Green      |                        | $X_G$ | -    | 0.296 | -       | -               |                 |
|                |            |                        | $Y_G$ | -    | 0.569 | -       | -               |                 |
|                | Blue       |                        | $X_B$ | -    | 0.142 | -       | -               |                 |
|                |            |                        | $Y_B$ | -    | 0.174 | -       | -               |                 |
| Uniformity     | U          |                        | 70    | 80   | -     | %       | Note1,<br>Note6 |                 |
| NTSC           |            |                        |       | 50   |       | %       | Note5           |                 |
| Luminance      | L          |                        | 250   | 280  |       |         | Note1,<br>Note7 |                 |

**Test Conditions:**

1. IF= 80mA (one channel),the ambient temperature is 25°C.
2. The test systems refer to Note 1 and Note 2.



Note 2: Definition of viewing angle range and measurement system.  
Viewing angle is measured at the center point of the LCD by CONOSCOPE (ergo-80).

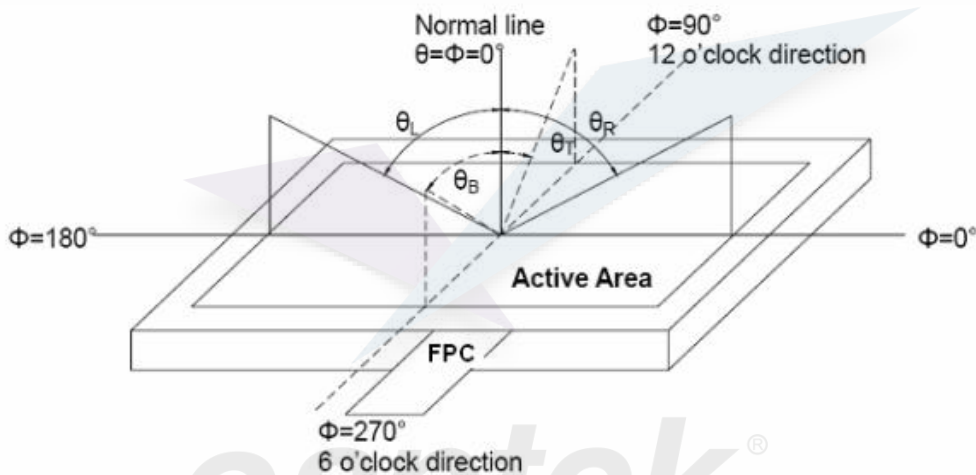


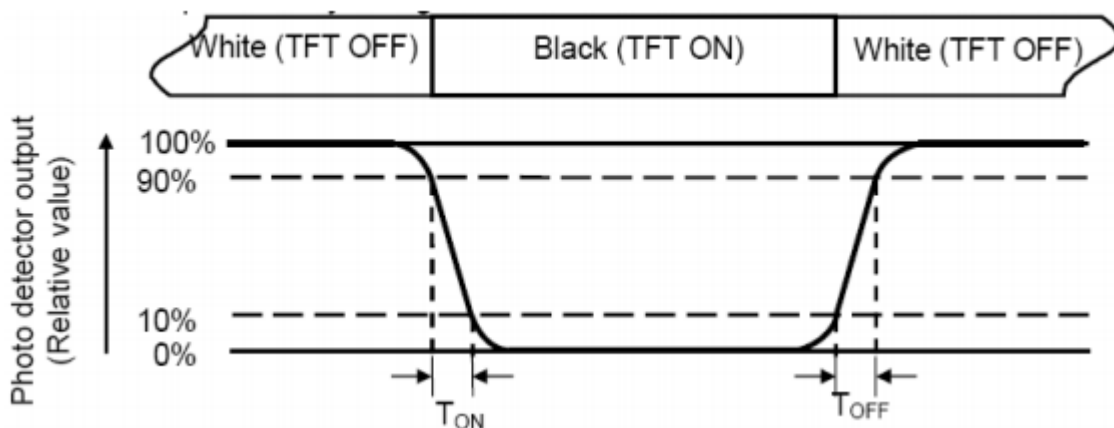
Fig. 1 Definition of viewing angle

Note 3: Definition of contrast ratio

$$\text{Contrast ratio (CR)} = \frac{\text{Luminance measured when LCD is on the "White" state}}{\text{Luminance measured when LCD is on the "Black" state}}$$

Note 4: Definition of Response time

The response time is defined as the LCD optical switching time interval between "White" state and "Black" state. Rise time (TON) is the time between photo detector output intensity changed from 90% to 10%. And fall time (TOFF) is the time between photo detector output intensity changed from 10% to 90%.



Note 5: Definition of color chromaticity (CIE1931)

Color coordinates measured at center point of LCD.

Note 6: Definition of Luminance Uniformity

Active area is divided into 9 measuring areas (Refer Fig. 2). Every measuring point is placed at the Center of each measuring area

Luminance Uniformity (U) =  $L_{min} / L_{max} \times 100\%$

L-----Active area length W----- Active area width

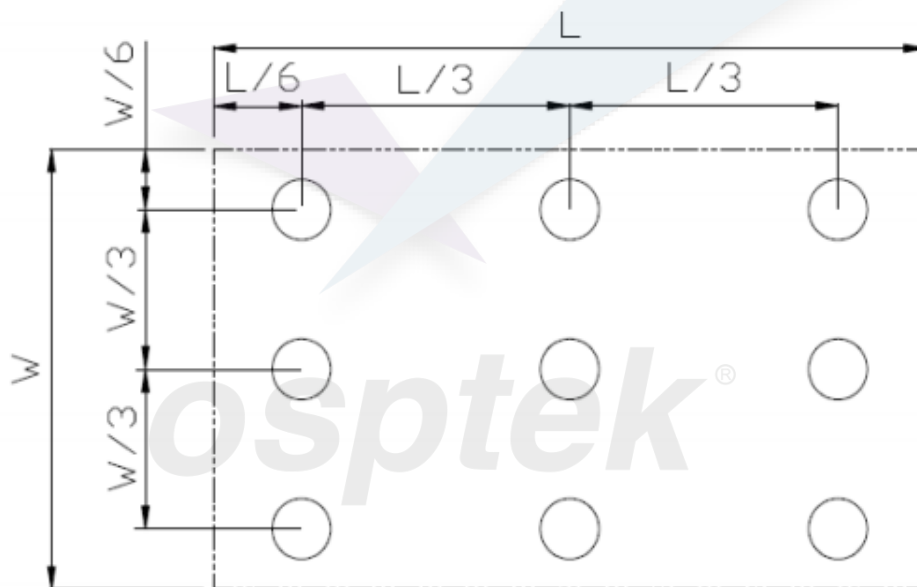


Fig. 2 Definition of uniformity

$L_{max}$ : The measured maximum luminance of all measurement position.

$L_{min}$ : The measured minimum luminance of all measurement position.

Note 7: Definition of Luminance:

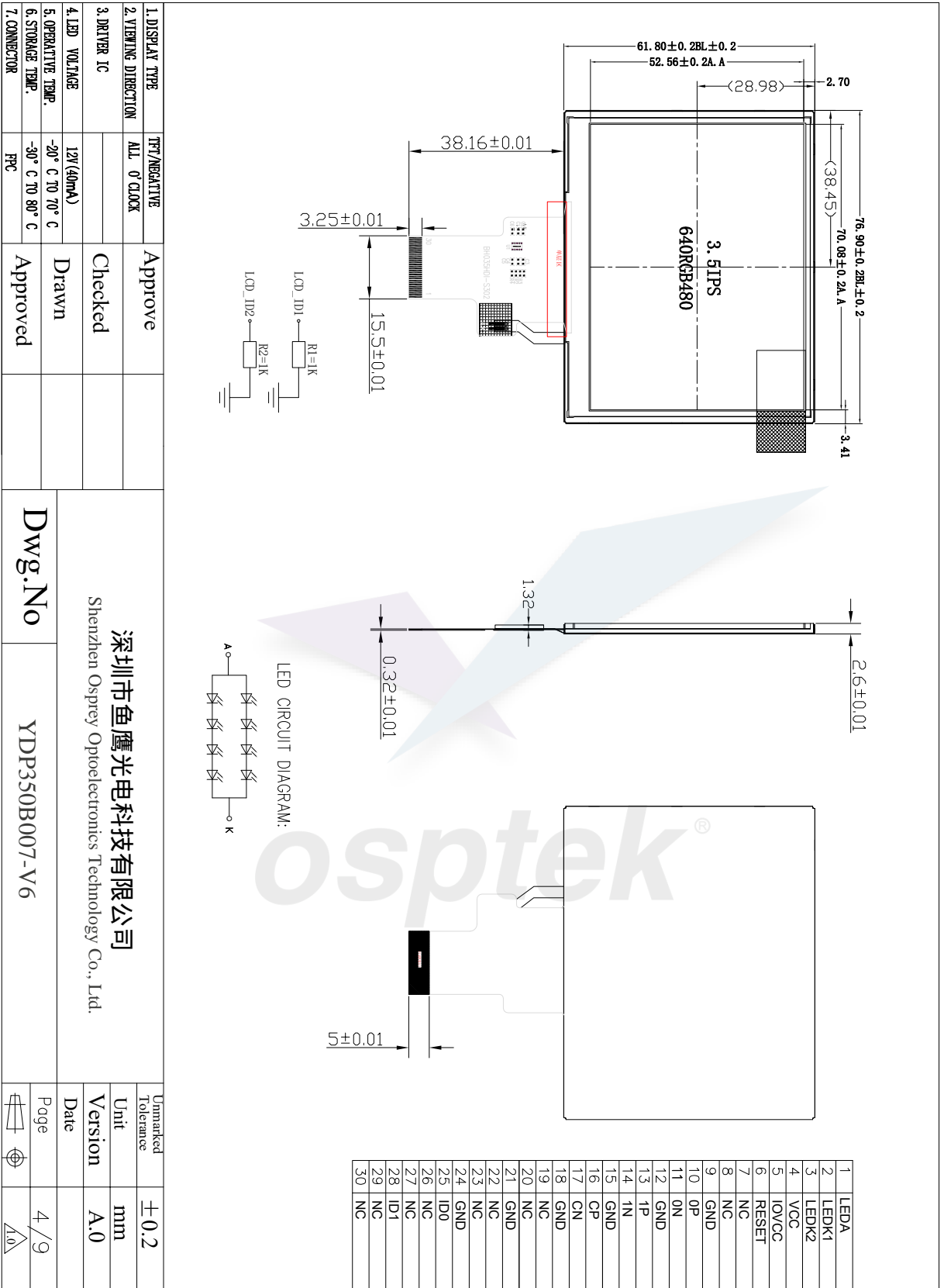
Measure the luminance of white state at center point.

## 8 Environmental / Reliability Test

| No | Test Item                            | Condition  | Remarks  |
|----|--------------------------------------|--|--|
| 1  | High Temperature Operation           | T <sub>s</sub> = +70°C, 240hrs   | Note 1<br>IEC60068-2-2,<br>GB2423. 2-89  |
| 2  | Low Temperature Operation            | T <sub>a</sub> = -20°C, 240hrs   | Note 2 IEC60068-2-1<br>GB2423.1-89   |
| 3  | High Temperature Storage             | T <sub>a</sub> = +80°C, 240hrs   | IEC60068-2-2<br>GB2423. 2-89   |
| 4  | Low Temperature Storage              | T <sub>a</sub> = -30°C, 240hrs   | IEC60068-2-1<br>GB/T2423.1-89  |
| 5  | High Temperature & Humidity Storage  | T <sub>a</sub> = +60°C, 90% RH max, 160 hours  | IEC60068-2-3<br>GB/T2423.3-2006  |
| 6  | Thermal Shock (Non-operation)        | -30°C 30 min ~ +80°C 30 min<br>Change time: 5min, 30 Cycle   | Start with cold temperature, end with high temperature<br>IEC60068-2-14,<br>GB2423.22-87 |
| 7  | Electro Static Discharge (Operation) | C=150pF, R=330 Ω, 5 points/panel<br>Air:±8KV, 5 times; Contact: ±4KV, 5 times; (Environment: 15°C ~ 35°C, 30% ~ 60%, 86Kpa ~ 106Kpa) | IEC61000-4-2<br>GB/T17626.2-1998   |
| 8  | Vibration (Non-operation)            | Frequency range: 10~55Hz, Stroke: 1.mm Sweep: 10Hz~55Hz~10Hz<br>2 hours for each direction of X .Y. Z. (package condition)           | IEC60068-2-6<br>GB/T2423.5-1995  |
| 9  | Shock (Non-operation)                | 60G 6ms, ± X, ±Y , ± Z<br>3 times for each direction   | IEC60068-2-27<br>GB/T2423.5-1995   |
| 10 | Package Drop Test                    | Height: 80 cm, 1 corner, 3 edges, 6 surfaces   | IEC60068-2-32<br>GB/T2423.8-1995   |

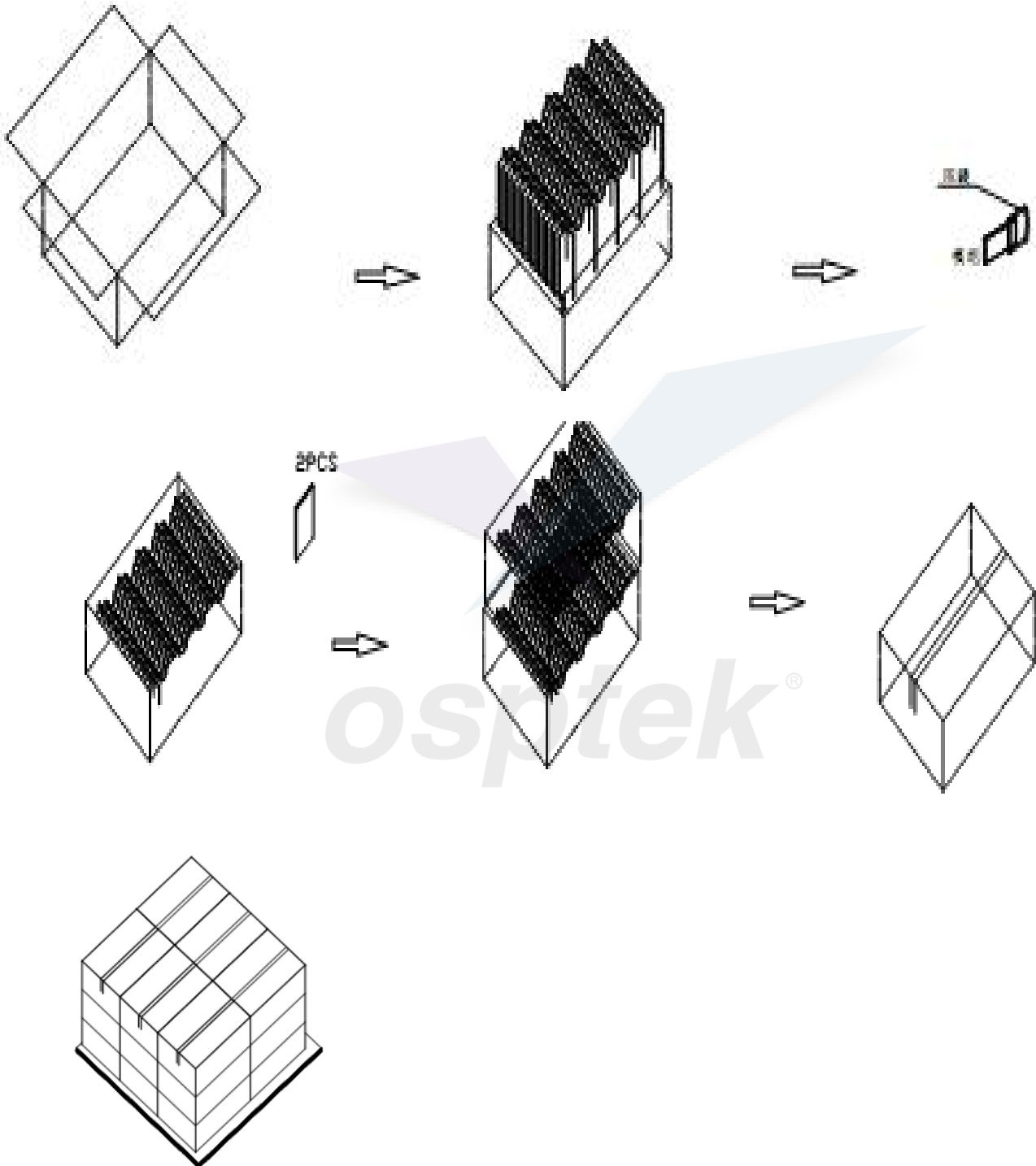
Note: 1. T<sub>S</sub> is the temperature of panel's surface.  
2. T<sub>a</sub> is the ambient temperature of sample.

# 9 Mechanical Drawing



# 10 Packing

## Packing Method



## 11 Precautions For Use of LCD Modules

### 11.1 Handling Precautions

11.1.1. The display panel is made of glass. Do not subject it to a mechanical shock by dropping it from a high place, etc.

11.1.2. If the display panel is damaged and the liquid crystal substance inside it leaks out, be sure not to get any in your mouth, if the substance comes into contact with your skin or clothes, promptly wash it off using soap and water.

11.1.3. Do not apply excessive force to the display surface or the adjoining areas since this may cause the color tone to vary.

11.1.4. The polarizer covering the display surface of the LCD module is soft and easily scratched. Handle this polarizer carefully.

11.1.5. If the display surface is contaminated, breathe on the surface and gently wipe it with a soft dry cloth. If still not completely clear, moisten cloth with one of the following solvents:

- Isopropyl alcohol
- Ethyl alcohol

Solvents other than those mentioned above may damage the polarizer. Especially, do not use the following:

- Water
- Ketene
- Aromatic solvents

11.1.6. Do not attempt to disassemble the LCD Module.

11.1.7. If the logic circuit power is off, do not apply the input signals.

11.1.8. To prevent destruction of the elements by static electricity, be careful to maintain an optimum work environment.

11.1.8.1. Be sure to ground the body when handling the LCD Modules.

11.1.8.2. Tools required for assembly, such as soldering irons, must be properly ground.

11.1.8.3. To reduce the amount of static electricity generated, do not conduct assembly and other work under dry conditions.

11.1.8.4. The LCD Module is coated with a film to protect the display surface. Be care when peeling off this protective film since static electricity may be generated.

### 11.2 Storage Precautions

11.2.1. When storing the LCD modules, avoid exposure to direct sunlight or to the light of fluorescent lamps.

11.2.2. The LCD modules should be stored under the storage temperature range. If the LCD modules will be stored for a long time, the recommend condition is:

Temperature : 0°C ~ 40°C      Relatively humidity: ≤80%

11.2.3. The LCD modules should be stored in the room without acid, alkali and harmful gas.

### 11.3 Transportation Precautions

The LCD modules should be no falling and violent shocking during transportation, and also should avoid excessive press, water, damp and sunshine.