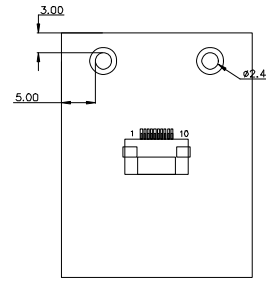
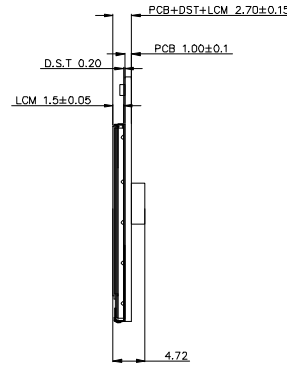
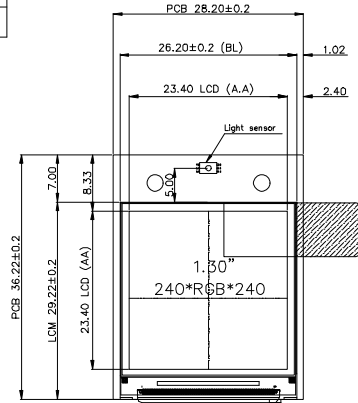


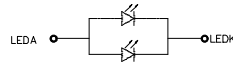
# Ambient Light Sensor IC

NO	SYMBOL
1	VCC
2	ADDR
3	GND
4	SDA
5	DVI
6	SCL

PIN	DESCRIPTION
1	GND
2	VCC
3	SCL
4	SDA
5	RES
6	D/C
7	CS
8	BLA
9	SDA(LSIC)
10	SCL(LSIC)



LCD Backlight control, the backlight is off when the pin is low level



LED CIRCUIT DIAGRAM:

## 技术要求:

- 带\*尺寸为重点尺寸,带0尺寸为参考尺寸
- LCD切割断面粗糙度 $\leq 1/3$  (单面LCD厚度)
- 平面翘曲度 $\leq 0.35\text{mm}$
- 符合RoHS指令
- 工作温度:  $-20^{\circ}\text{C} \sim 70^{\circ}\text{C}$
- 储存温度:  $-30^{\circ}\text{C} \sim 80^{\circ}\text{C}$
- 建议TP V.A开窗以LCD A.A单地 $0.4\text{mm}$
- 泡棉开窗以LCD A.A单地 $0.3\text{mm}$

REV	SIGN	DESCRIPTION	PIC	DATE
A		首次发行	XW	2022.9.9

PART DESCRIPTION		Module		深圳市鱼鹰光电科技有限公司 Shenzhen Osprey Optoelectronics Technology Co., Ltd.			
DESIGNED		UNIT	SCALE	3rd ANGLE	SIZE	SHEET NUMBER	
CHECKED		mm	1.00		A4	1 of 1	
APPROVED		PART NUMBER				DRAWING REV.	
		MODEL NAME				PART NUMBER VER.	
		YDP130HB006-V2				N/A	