

Osptek Display

OLED SPECIFICATION

Model No:

ODM192-128160W001-P7

osptek[®]

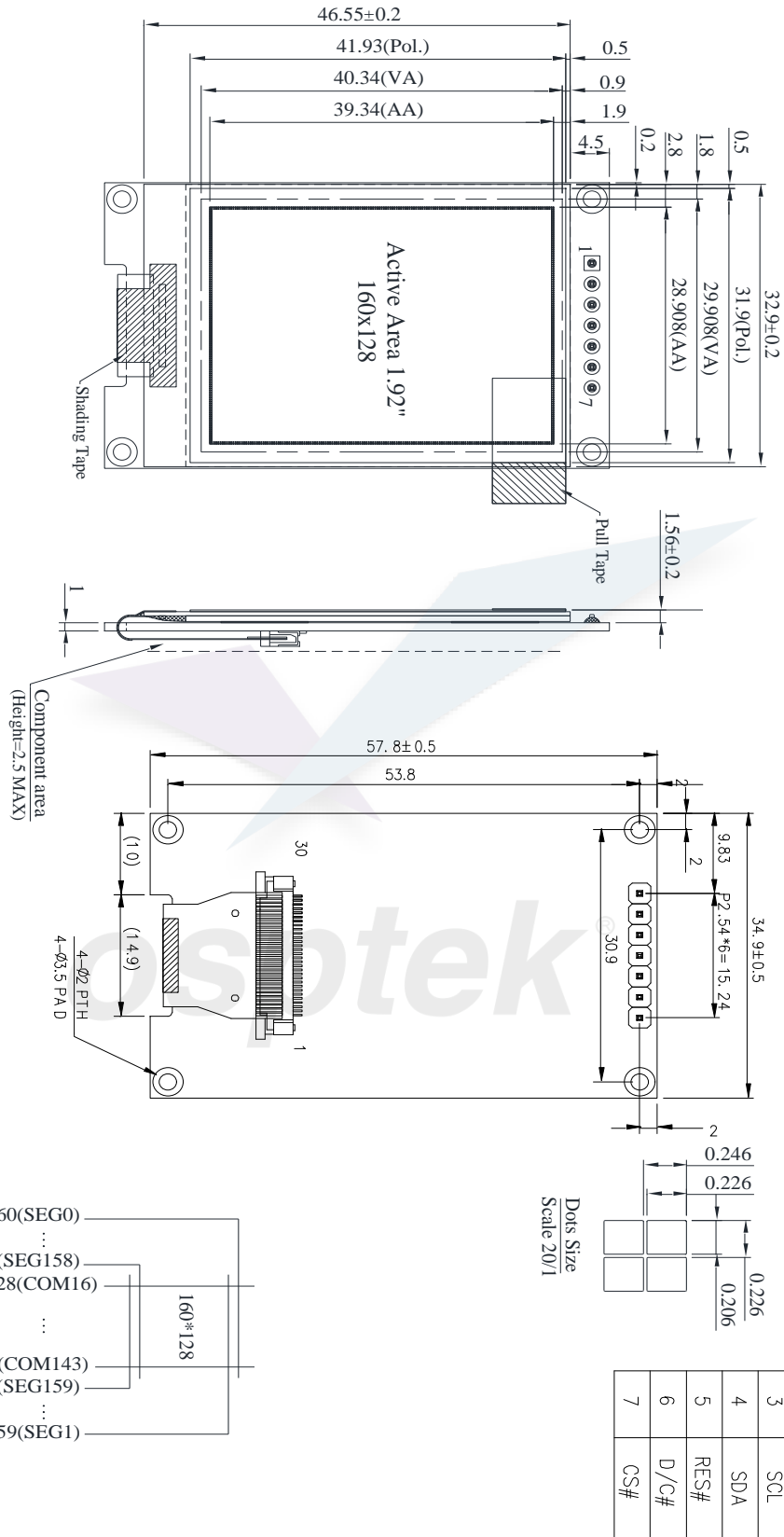
General Specification

Item	Dimension	Unit
Dot Matrix	128 x 160 Dots	-
Module dimension	34.9 x 57.8 x 2.56	mm
Active Area	28.908 x 39.34	mm
Pixel Size	0.206 x 0.226	mm
Pixel Pitch	0.226 x 0.246	mm
Display Mode	Passive Matrix	
Display Color	White	
Drive Duty	1/128 Duty	
Frame rate	105Hz	
IC	SH1108	
Interface	SPI	
Size	1.92 inch	



osptek®

Contour Drawing & Block Diagram



The non-specified tolerance of dimension is ± 0.3 mm.

Interface Pin Function

No.	Symbol	Function
1	GND	Ground.
2	VCC	Power supply pin for logic.
3	SCL	Serial input CLK
4	SDA	Serial input/output data
5	RES#	This is a reset signal input pad. When RES is set to "L", the settings are initialized. The reset operation is performed by the RES signal level.
6	D/C#	This is the Data/Command control pad that determines whether the data bits are data or a command. D/C= "H": the inputs at D0 and D1 are treated as display data. D/C= "L": the inputs at D0 and D1 are transferred to the command registers.
7	CS#	This pad is the chip select input. When CS = "L", then the chip select becomes active, and data command I/O is enabled.



Absolute Maximum Ratings

Parameter	Symbol	Min	Max	Unit
Supply Voltage for Logic	VCC	-0.3	3.6	V
Operating Temperature	TOP	-40	+80	°C
Storage Temperature	TSTG	-40	+85	°C

Electrical Characteristics

DC Electrical Characteristics

Item	Symbol	Condition	Min	Typ	Max	Unit
Supply Voltage for Logic(3V/5V)	VCC	-	1.65	3.0	3.3	V
Input High Volt.	VIH	-	0.8xVCC	-	VCC	V
Input Low Volt.	VIL	-	GND	-	0.2xVCC	V
Output High Volt.	VOH	-	0.8xVCC	-	VCC	V
Output Low Volt.	VOL	-	0	-	0.2xVCC	V
50% Check Board operating Current	ICC	VCC=3V	-	100	200	mA

Circuit Diagram

