

Osptek Display

LCD Module SPECIFICATION

Model No:

LCM12864Z-4-B

osptek[®]

RECORDS OF REVISION

Date	Rev.	Description	Page	Design by
2011/06/26	0	New Sample.	-	-
			-	-

1. SPECIFICATIONS

- 1.1 Features**
- 1.2 Mechanical Specifications**
- 1.3 Absolute Maximum Ratings**
- 1.4 Backlight & LED Characteristics**

2. MODULE STRUCTURE

- 2.1 Counter Drawing**
- 2.2 Interface Pin Description**
- 2.3 Timing Characteristics**
- 2.4 Instruction Table**
- 2.5 Inspection Specification**



1. SPECIFICATIONS

1.1 Features

Item	Standard Value
Display Type	128X64 DOTS
LCD Type	STN(BLUE), NEGATIVE
Driver Condition	LCD Module : 1/32Duty , 1/5Bias
Viewing Direction	6 O'clock
Backlight Type	SIDE WHITE
Interface	8BIT or Serial bus MPU interface
Driver IC	AIP31020 or eqv

1.2 Mechanical Specifications

Item	Standard Value	Unit
Outline Dimension	93(L) *70(W) * Max 12.5 (T)	mm
Viewing Area	72(L) * 40(W)	mm
Dot Size (W*H)	0.48*0.48mm	
Dot Pitch (W*H)	0.52*0.52 mm [®]	

1.3 Absolute Maximum Ratings

Item	Symbol	Condition	Min.	Max.	Unit
System Power Supply Voltage	VDD	-	-0.3	5.5	V
LCD Driver Supply Voltage	VOUT _{IN}	-	4.8	5.0	V
Input Voltage	V _{IN}	-	-0.3	VDD + 0.2	V
Operating Temperature	T _{OP}	-	-20	70	°C
Storage Temperature	T _{ST}	-	-30	80	°C
Storage Humidity	H _D	Ta < 40 °C	20	80	%RH

1.4 Backlight Characteristics

LCD Module without LED Backlight

Electrical / Optical Characteristics

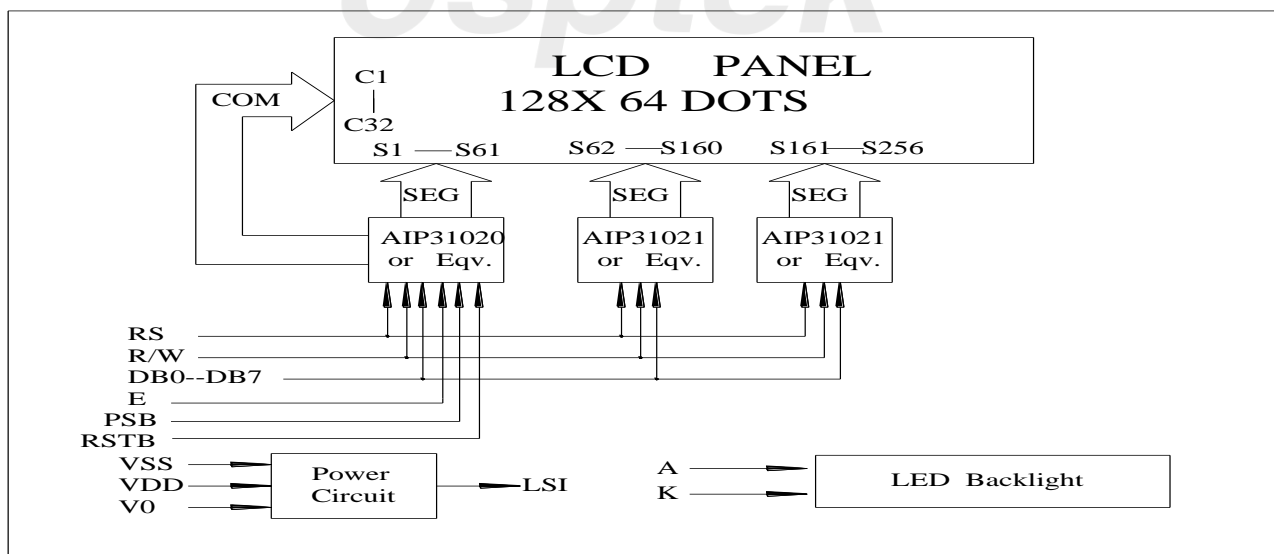
Ta =25°C

Item	Symbol	Conditions	Min.	Typ.	Max.	Unit
Forward Voltage	Vf	If=80mA	3.0	3.1	3.2	V
Reverse Current	Ir	If=8v			--	uA
Average Brightness	IV	If=80mA				cd/m ²
Wavelength (Without LCD)	λd	If=80mA	--	--	--	nm
Luminous Intensity (without LCD)	Lv Sub	If=80mA				cd/m ²
Uniformity	$\Delta\%$	IvMin / IvMax *100%	--	-	-	%
Color	WHITE					

osptek®

2.2 Interface Pin Description

Pin No.	Symbol	Function	
1	VSS	Ground (0V)	
2	VDD	Power supply input for driver IC (+5V)	
3	VO	LCD driver supply voltages	
4	RS(CS)	Register select input pin - RS = "H": D0 to D7 are display data - RS = "L": D0 to D7 are control data	Serial mode: CS=1 :chip enable CS=0 :chip enable
5	RW(SID)	Read write control 0:write 1:read (serial data input)	
6	E(SCLK)	Enable trigger (serial clock)	
7-10	DB0~DB3	Lower nibble data bus for 8 bit interface	
11-14	DB4~DB7	Higher nibble data bus for 8 bit interface and data bus for 4 bit interface	
15	PSB	Interface selection:0:serial mode 1:8/4-bits parallel bus mode	
16	NC	No used	
17	RST	Reset signal	
18	NC	No used	
19	LED+	BACKLIGHT+ (5V)	
20	LED-	BACKLIGHT- (0V)	



2.3 Timing Characteristics

AC Characteristics ($T_A = 25^\circ\text{C}$, $V_{DD} = 4.5\text{V}$) Parallel Mode Interface

Characteristics	Symbol	Test Condition	Min.	Typ.	Max.	Unit
<i>Internal Clock Operation</i>						
OSC Frequency	f_{osc}	R = 33K Ω	480	540	600	KHz
<i>External Clock Operation</i>						
External Frequency	f_{ex}	-	480	540	600	KHz
Duty Cycle		-	45	50	55	%
Rise/Fall Time	$T_{R,Tf}$	-	-	-	0.2	μs
<i>Write Mode (Writing data from MPU to AIP31020)</i>						

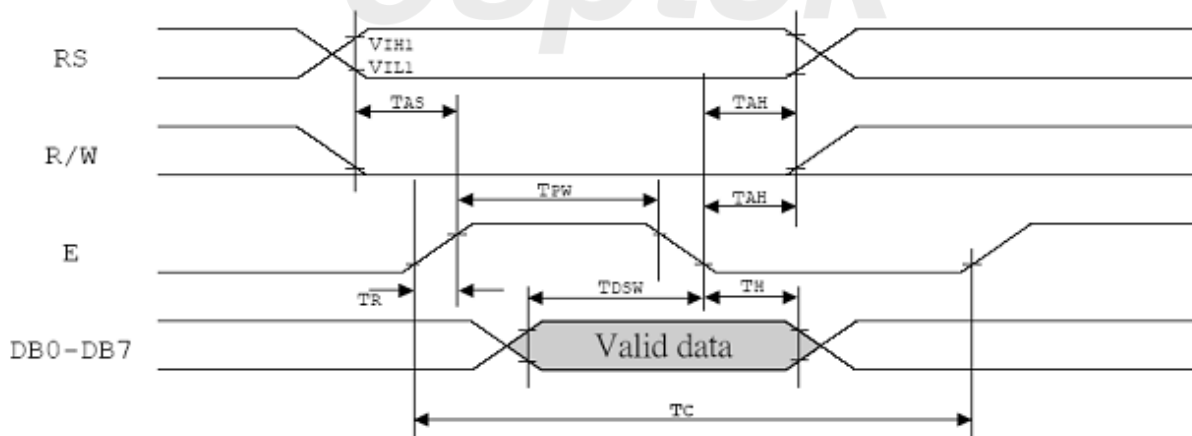
Enable Cycle Time	T_c	Pin E	1200	-	-	ns
Enable Pulse Width	T_{PW}	Pin E	140	-	-	ns
Enable Rise/Fall Time	$T_{R,Tf}$	Pin E	-	-	25	ns
Address Setup Time	T_{AS}	Pins: RS,RW,E	10	-	-	ns
Address Hold Time	T_{AH}	Pins: RS,RW,E	20	-	-	ns
Data Setup Time	T_{DSW}	Pins: DB0 - DB7	40	-	-	ns
Data Hold Time	T_H	Pins: DB0 - DB7	20	-	-	ns
<i>Read Mode (Reading Data from AIP31020 to MPU)</i>						
Enable Cycle Time	T_c	Pin E	1200	-	-	ns
Enable Pulse Width	T_{PW}	Pin E	140	-	-	ns
Enable Rise/Fall Time	$T_{R,Tf}$	Pin E	-	-	25	ns
Address Setup Time	T_{AS}	Pins: RS,RW,E	10	-	-	ns
Address Hold Time	T_{AH}	Pins: RS,RW,E	20	-	-	ns
Data Delay Time	T_{DDR}	Pins: DB0 - DB7	-	-	100	ns
Data Hold Time	T_H	Pins: DB0 - DB7	20	-	-	ns
<i>Interface Mode with LCD Driver(AIP31021)</i>						
Clock Pulse with High	T_{CWH}	Pins: CL1, CL2	800	-	-	ns
Clock Pulse with Low	T_{CWL}	Pins: CL1, CL2	800	-	-	ns
Clock Setup Time	T_{CST}	Pins: CL1, CL2	500	-	-	ns
Data Setup Time	T_{SU}	Pin: D	300	-	-	ns
Data Hold Time	T_{DH}	Pin: D	300	-	-	ns
M Delay Time	T_{DM}	Pin: M	-1000	-	1000	ns

DC Characteristics ($T_A = 25^{\circ}\text{C}$, $V_{DD} = 4.5\text{ V} - 5.5\text{ V}$)

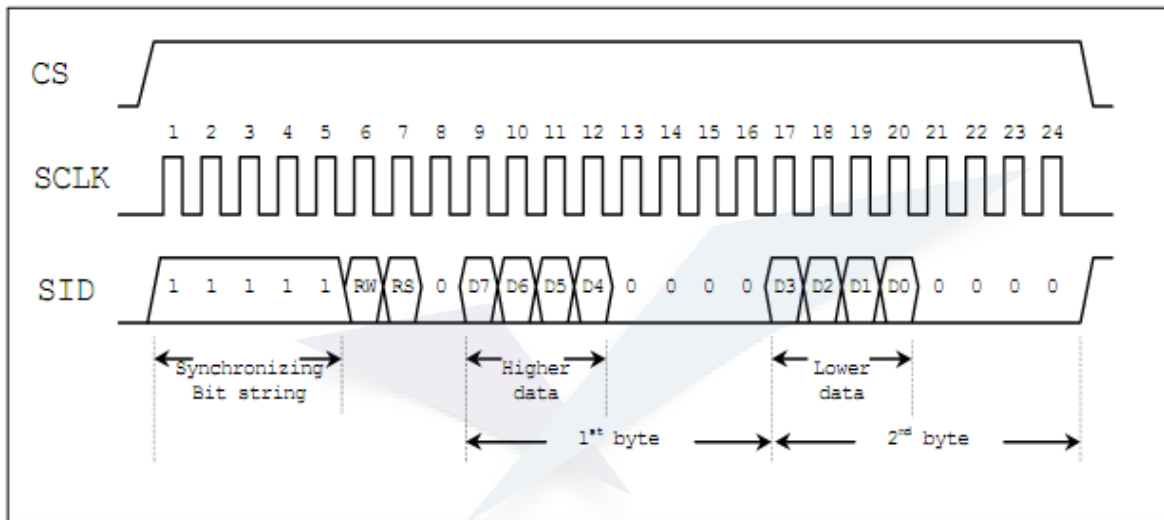
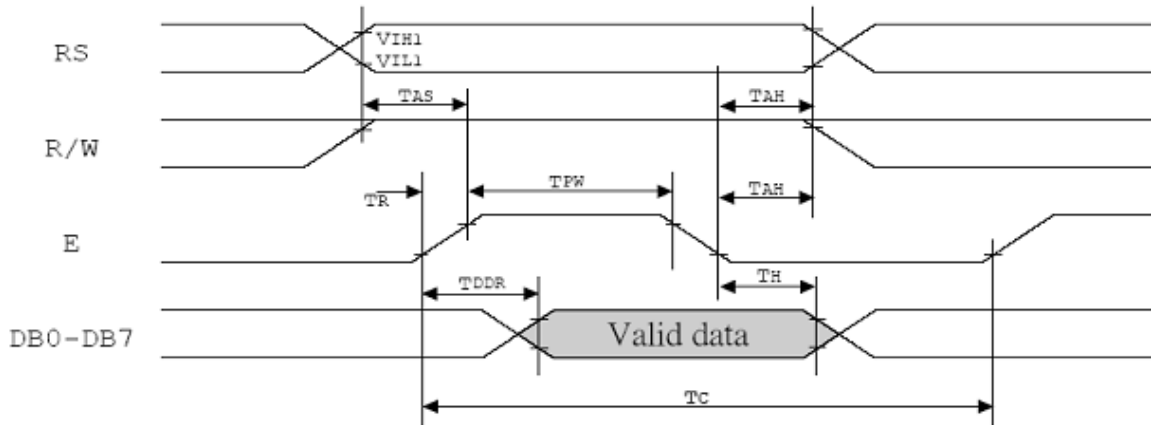
Characteristics	Symbol	Test Condition	Min.	Typ.	Max.	Unit
Operating Voltage	VDD	-	4.5	-	5.5	V
LCD Voltage	VLCD	V0-VSS	3.0	-	7	V
Power Supply Current	ICC	fOSC= 540KHz, VDD=5V Rf=33K Ω	-	0.45	0.75	mA
Input High Voltage (Except OSC1)	VIH1	-	0.7VDD	-	VDD	V
Input Low Voltage (Except OSC1)	VIL1	-	-0.3	-	0.6	V
Input High Voltage (OSC1)	VIH2	-	VDD-1	-	VDD	V
Input Low Voltage (OSC1)	VIL2	-	-	-	1.0	V
Output High Voltage (DB0 - DB7)	VOH1	IOH= -0.1mA	0.8VDD	-	VDD	V
Output Low Voltage (DB0 - DB7)	VOL1	IOL = 0.1mA	-	-	0.4	V
Output High Voltage (Except DB0 - DB7)	VOH2	IOH = -0.04mA	0.8VDD	-	VDD	V
Output Low Voltage (Except DB0 - DB7)	VOL2	IOL= 0.04mA	-	-	0.1VDD	V
Input Leakage Current	ILEAK	VIN= 0V to VDD	-1	-	1	μA
Pull Up MOS Current	IPUP	VDD= 5V	75	80	85	μA

8 bit interface timing diagram

- MPU write data to AIP31020

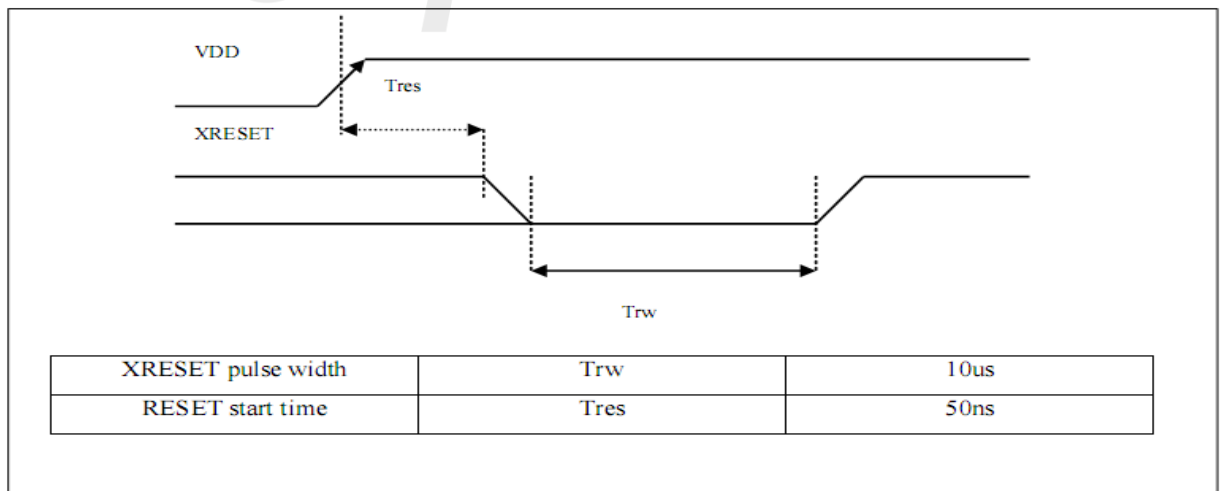


● MPU read data from AIP31020



Timing Diagram of Serial Mode Data Transfer

External reset timing



2.4 Instruction Table

Instruction set 1: (RE=0: basic instruction)

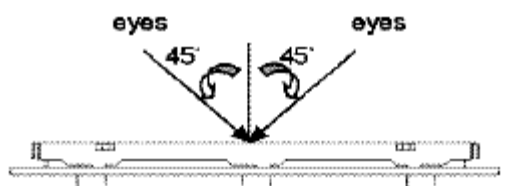
Ins	code										Description	Exec time (540KHZ)	
	RS	RW	DB7	DB6	DB5	DB4	DB3	DB2	DB1	DB0			
CLEAR	0	0	0	0	0	0	0	0	0	1	Fill DDRAM with "20H", and set DDRAM address counter (AC) to "00H"	1.6 ms	
HOME	0	0	0	0	0	0	0	0	0	1	X	Set DDRAM address counter (AC) to "00H", and put cursor to origin ; the content of DDRAM are not changed	72us
ENTRY MODE	0	0	0	0	0	0	0	0	1	I/D	S	Set cursor position and display shift when doing write or read operation	72us
DISPLAY ON/OFF	0	0	0	0	0	0	0	1	D	C	B	D=1: display ON C=1: cursor ON B=1: blink ON	72 us
CURSOR DISPLAY CONTROL	0	0	0	0	0	1	S/C	R/L	X	X		Cursor position and display shift control ; the content of DDRAM are not changed	72 us
FUNCTION SET	0	0	0	0	1	DL	X	0	RE	X	X	DL=1 8-BIT interface DL=0 4-BIT interface RE=1: extended instruction RE=0: basic instruction	72 us
SET CGRAM ADDR.	0	0	0	1	AC5	AC4	AC3	AC2	AC1	AC0		Set CGRAM address to address counter (AC) Make sure that in extended instruction SR=0 (scroll or RAM address select)	72 us
SET DDRAM ADDR.	0	0	1	0	AC5	AC4	AC3	AC2	AC1	AC0		Set DDRAM address to address counter (AC) AC6 is fixed to 0	72 us
READ BUSY FLAG (BF) & ADDR.	0	1	BF	AC6	AC5	AC4	AC3	AC2	AC1	AC0		Read busy flag (BF) for completion of internal operation, also Read out the value of address counter (AC)	0 us
WRITE RAM	1	0	D7	D6	D5	D4	D3	D2	D1	D0		Write data to internal RAM (DDRAM/CGRAM/IRAM/GDRAM)	72 us
READ RAM	1	1	D7	D6	D5	D4	D3	D2	D1	D0		Read data from internal RAM (DDRAM/CGRAM/IRAM/GDRAM)	72 us

Instruction set 2: (RE=1: extended instruction)

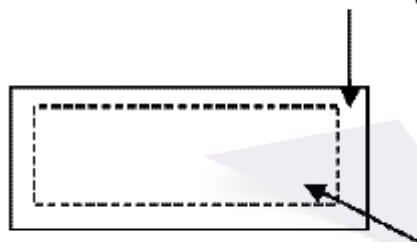
Inst.	code											description	Exec. time (540KHZ)
	RS	RW	DB7	DB6	DB5	DB4	DB3	DB2	DB1	DB0			
STAND BY	0	0	0	0	0	0	0	0	0	0	1	Enter stand by mode, any other instruction can terminate (Com1..32 halted, only Com33 ICON can display)	72 us
SCROLL or RAM ADDR. SELECT	0	0	0	0	0	0	0	0	0	1	SR	SR=1: enable vertical scroll position SR=0: enable IRAM address (extended instruction) SR=0: enable CGRAM address(basic instruction)	72 us
REVERSE	0	0	0	0	0	0	0	1	R1	R0		Select 1 out of 4 line (in DDRAM) and decide whether to reverse the display by toggling this instruction R1,R0 initial value is 00	72 us
EXTENDED FUNCTION SET	0	0	0	0	1	DL	X	1	RE	G	0	DL=1 8-BIT interface DL=0 4-BIT interface RE=1: extended instruction set RE=0: basic instruction set G=1 :graphic display ON G=0 :graphic display OFF	72 us
SET IRAM or SCROLL ADDR	0	0	0	1	AC5	AC4	AC3	AC2	AC1	AC0		SR=1: AC5~AC0 the address of vertical scroll SR=0: AC3~AC0 the address of ICON RAM	72 us
SET GRAPHIC RAM ADDR.	0	0	1	0	0	0	AC3	AC2	AC1	AC0		Set GDRAM address to address counter (AC) First set vertical address and the horizontal address by consecutive writing Vertical address range AC5...AC0 Horizontal address range AC3...AC0	72 us

2.5 Inspection Specification

- ◆ Inspection Standard : MIL-STD-105E Table Normal Inspection Single Sampling Level II .
- ◆ Equipment : Gauge、MIL-STD、Powertip Tester、 Sample
- ◆ Defect Level : Major Defect AQL 0.4; Minor Defect AQL 1.5 .
- ◆ OUT Going Defect Level : Sampling .
- ◆ Manner of appearance test :
 - (1). The test be under 40W×2 fluorescent light ' and distance of view must be at 30 cm.
 - (2). The test direction is base on about around 45° of vertical line. (Fig. 1)
 - (3). Definition of area . (Fig. 2)




B area : Outside of viewing area



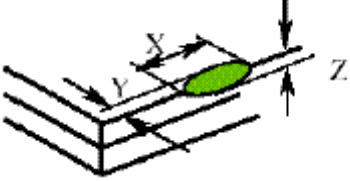

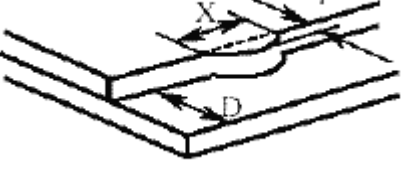
A area : viewing area

◆ Specification:

NO	Item	Criterion	level
01	Product condition	1.1 The part number is inconsistent with work order of Production.	Major
		1.2 Mixed production types.	Major
		1.3 Assembled in inverse direction.	Major
02	Quantity	2.1 The quantity is inconsistent with work order of production.	Major
03	Outline dimension	3.1 Product dimension and structure must conform to Structure diagram.	Major
04	Electrical Testing	4.1 Missing line character、 dot and icon.	Major
		4.2 No function or no display.	Major
		4.3 Output data is error.	Major
		4.4 LCD viewing angle defect.	Major
		4.5 Current consumption exceeds product specifications.	Major
05	Black or white dot、 scratch、 contamination Round type	5.1 Round type: 5.1.1 display only : · White and black spots on display $\leq 0.25\text{mm}$, no more than Four white or black spots present. · Densely spaced : NO more than two spots or lines within 3mm	Minor

06	Polarizer Bubble	<p>Dimension (diameter : Φ)</p> <p>A area</p> <p>Acceptance(Q'ty)</p> <p>B area</p> <p>$\Phi \leq 0.20\text{mm}$</p> <p>Accept no dense</p> <p>Don't count</p> <p>$0.20\text{mm} < \Phi \leq 0.50\text{mm}$</p> <p>3</p> <p>Don't count</p> <p>$0.50\text{mm} < \Phi \leq 1.00\text{mm}$</p> <p>2</p> <p>Don't count</p> <p>$\Phi > 1.00\text{mm}$</p> <p>0</p> <p>Don't count</p> <p>Total quantity</p> <p>4</p> <p>Don't count</p>	Minor
07	The crack of glass	<p>● Glass Crack:</p> <p>7.1 Crack on the circuit of electrode terminal :</p>  <p>X</p> <p>Y</p> <p>Z</p> <p>Front</p> <p>$X \leq 1/5 a$</p> <p>$Y \leq 1/2 D$</p> <p>$Z \leq t$</p> <p>Back</p> <p>Neglect</p>	Minor

◆ Specification :

NO	Item	Criterion	Level
07	<p>The crack of glass</p> <p>X: The length of Crack</p> <p>Y: The width of crack</p> <p>Z: The thickness of crack</p> <p>D: terminal length</p> <p>T: The thickness of glass</p> <p>A : The length of glass</p>	<p>● Glass Crack:</p> <p>7.2 General glass crack and corner edge:</p> <p>7.2.1</p>  <p>X Y Z Neglect Out A area Neglect</p> <p>7.2.2</p>  <p>X Y Z Neglect Out A area Neglect</p>	Minor
		<p>7.3 Glass remain:</p>  <p>X Y Neglect $\leq 1/3 d$</p>	Minor

◆Specification :

NO	Item	Criterion	Level
07	<p>The crack of glass</p> <p>X: The length of Crack</p> <p>Y: The width of crack</p> <p>Z: The thickness of crack</p> <p>D: terminal length</p> <p>T: The thickness of glass</p> <p>A: The length of glass</p>	<p>7.4 Corner crack and medial crack:</p> <p>Crack can't enter viewing area</p> $\begin{aligned} X &\leq 1/5a \\ Y &\leq 1/2t \\ Z &\leq 1/5a \end{aligned}$ <p>Crack can't exceed the half of width of SP width of SP</p> $1/2t < Z \leq 2t$	Minor
08	Backlight elements	<p>8.1 Backlight can't work normally.</p> <p>8.2 Backlight doesn't light or color is wrong.</p> <p>8.3 Illumination source flickers when lit.</p>	Major
09	General appearance	<p>9.1 pin type must match type in specification sheet</p> <p>9.2 No short circuits in components on PCB or FPC</p> <p>9.3 Product packaging must the same as specified on packaging specification sheet.</p> <p>9.4 The folding and peeled off in polarizer are not acceptable</p> <p>9.5 The PCB or FPC between B/L assembled distance (PCB or FPC) is $\leq 1.5\text{mm}$</p>	Major