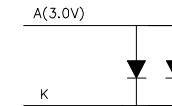
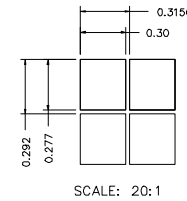
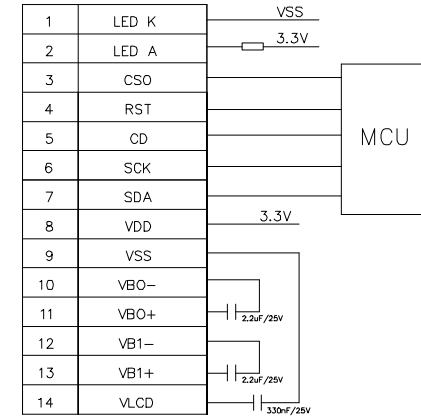
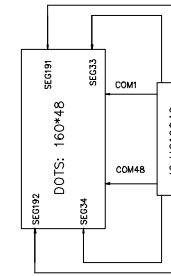
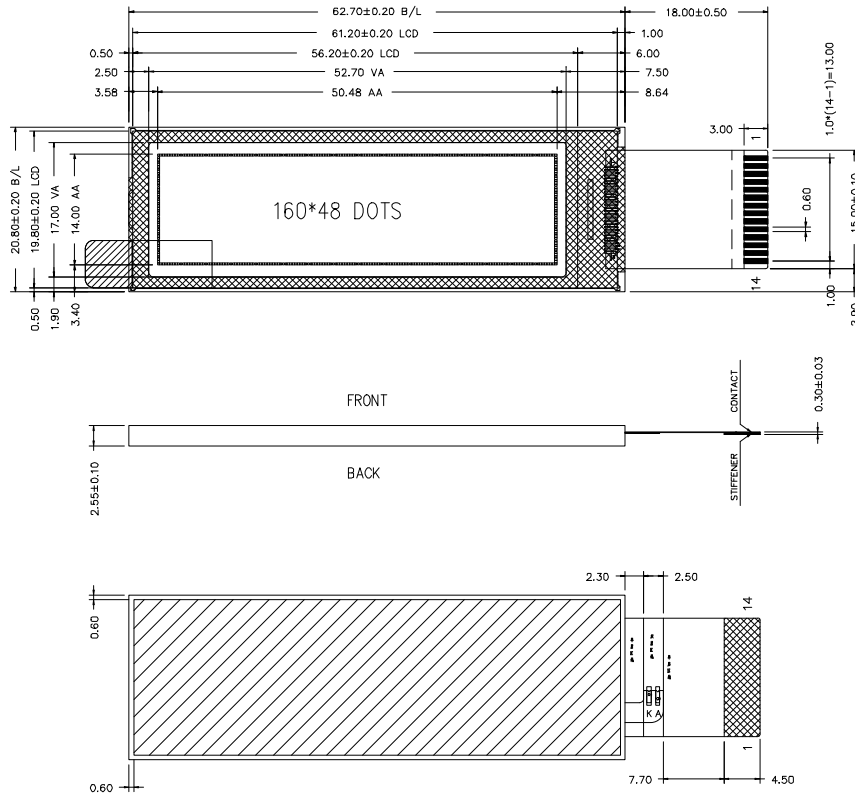


All Pages Of This Edition Approved

Signature: _____

Date: _____

REV.	DESCRIPTION	REVISER	DATE
A0	First issue	WZQ	2020.12.31



Specifications:

1. Display Mode: FSTN/Transflective/Positive.
2. Viewing Angle: 6 O'clock.
3. Drive Method: 1/64 Duty, 1/9 Bias, Vop=10.0V, Vdd=3.3V.
4. Top: -20°C~+70°C, Tst: -30°C~+80°C.
5. Connector: COG+FPC.
6. Drive IC: UC1604c
7. Backlight: 2PCS WHITE LEDS, If=40mA & Vf=3.0±0.10V
8. With " * " Mark Dimensions Are Important Dimensions.

深圳市鱼鹰光电科技有限公司
Shenzhen Osprey Optoelectronics Technology Co., Ltd.

Unspecified Tolerance: ±0.20	UNITS: mm	DATE: 2020.12.31	MODEL NUMBER : LCD16048-13		SHEET: 1 OF 1
DESIGN BY: WZQ	CHECKED BY:	CUSTOMER P/N: HFG16048-10 触摸屏PC	DO NOT SCALE THIS DRAWING.		DATE: 2020.12.31