

FM01131-071FHD

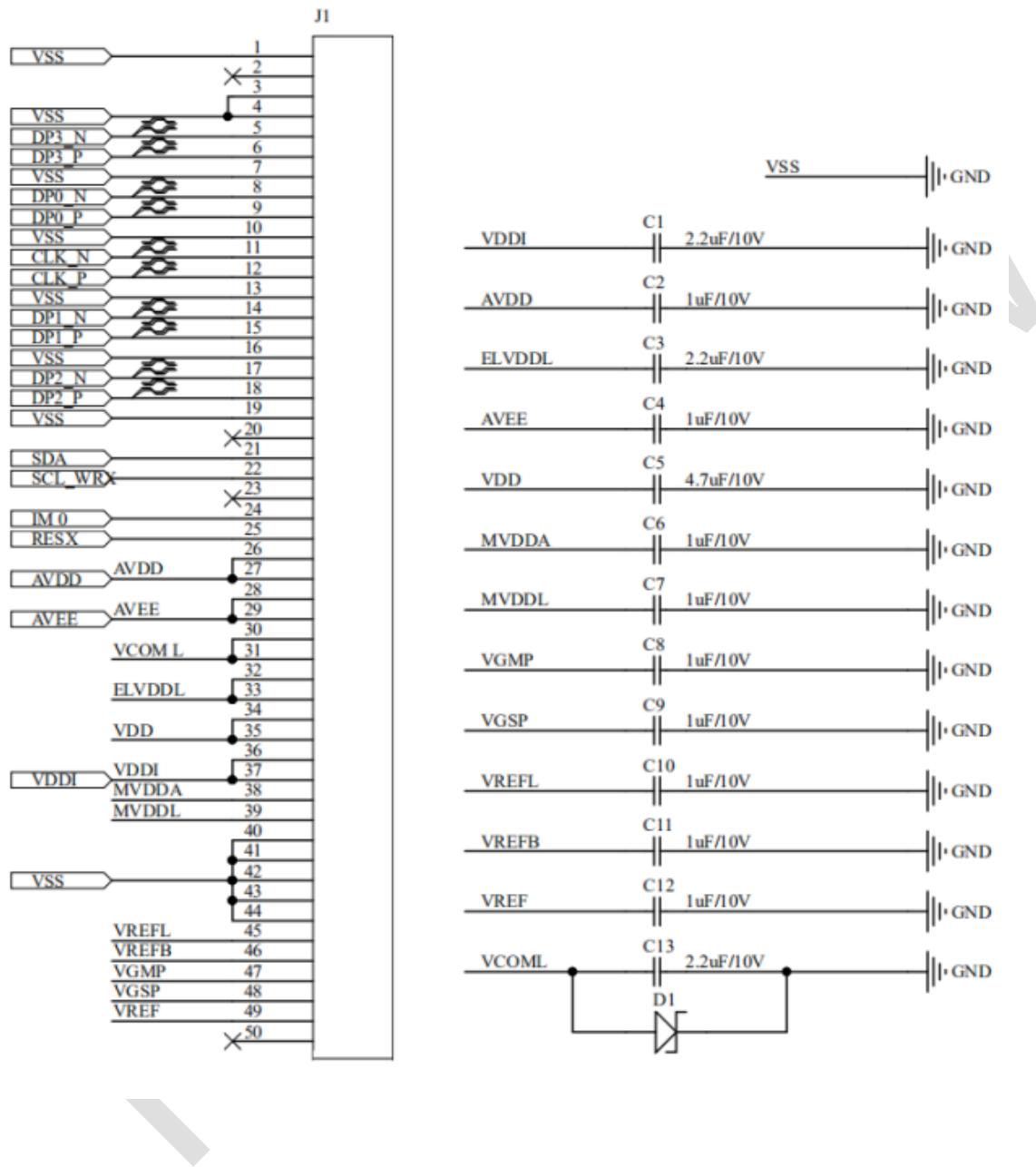
应用手册

目录

1	应用电路.....	3
2	初始化代码.....	4

Fantaview

1 应用电路



连接器型号：DF40C-50DP-0.4V(51)

匹配连接器型号：DF40C-50DS-0.4V(51)

2 初始化代码

为了保证模组的可靠性和稳定性，模组必须用以下代码初始化，如果使用其他初始化代码，则可能发生模组工作异常，模组的可靠性可能会降低。

```
void Init_IC()
{
write_c(0x03,0x00); // This command is used for compression mode
write_c(0x53,0x20); // This command is used to set brightness control and display diming control.
write_c(0x51,0xFF,0x01); // This command is used to adjust brightness.
write_c(0x6B,0x00); // Set MIPI Lane selection:0x00:4-Lanes,0x01: 3-Lanes,0x02: 2-Lanes,0x03:
Reserved
write_c(0x80,0x01,0xE0,0x0E,0x11); // Resolution Control:1920*1080
write_c(0x81,0x02,0x20,0x00,0x04,0x00,0x04,0x01); // Resolution Control in normal mode
write_c(0x82,0x02,0x20,0x00,0x04,0x00,0x04,0x01); // Resolution Control in idle mode
write_c(0x35,0x00); // Tearing Effect Output line consists of V-Blanking information only
write_c(0x11); //Sleep Out
write_c(0x29); //Display ON
}
```